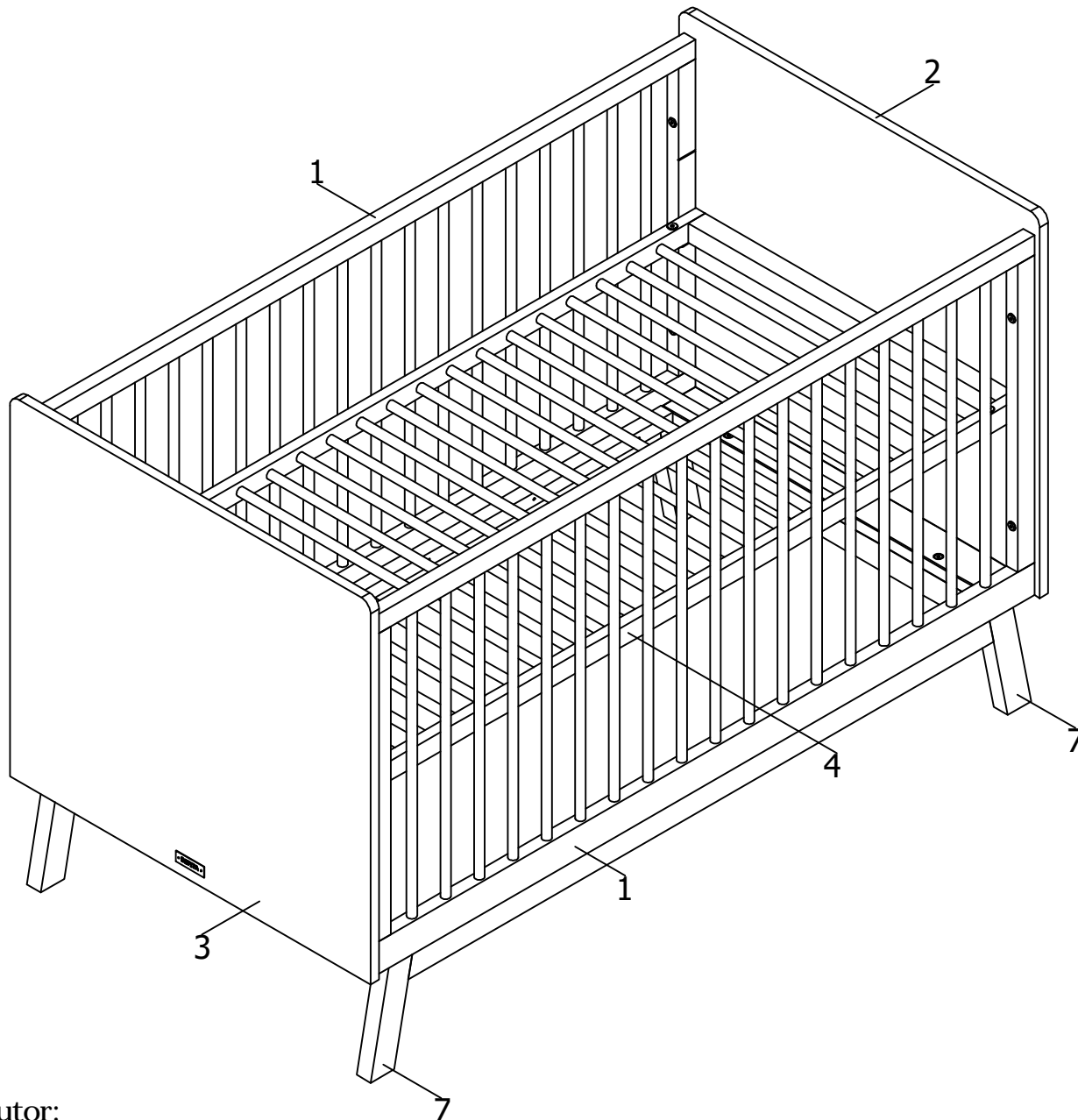


bopita®

ASSEMBLY INSTRUCTION
MONTAGE HANDLEIDING
MONTAGE ANLEITUNG
NOTICE DE MONTAGE
MANUAL DE MONTAJE

UK
NL
D
F
ESP

MODEL : SABA
TYPE : BENCHBED 70X140
COLOUR : DUNE/NATURAL
ART.CODE : 163219.59















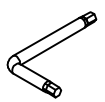
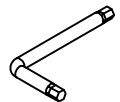
Distributor:

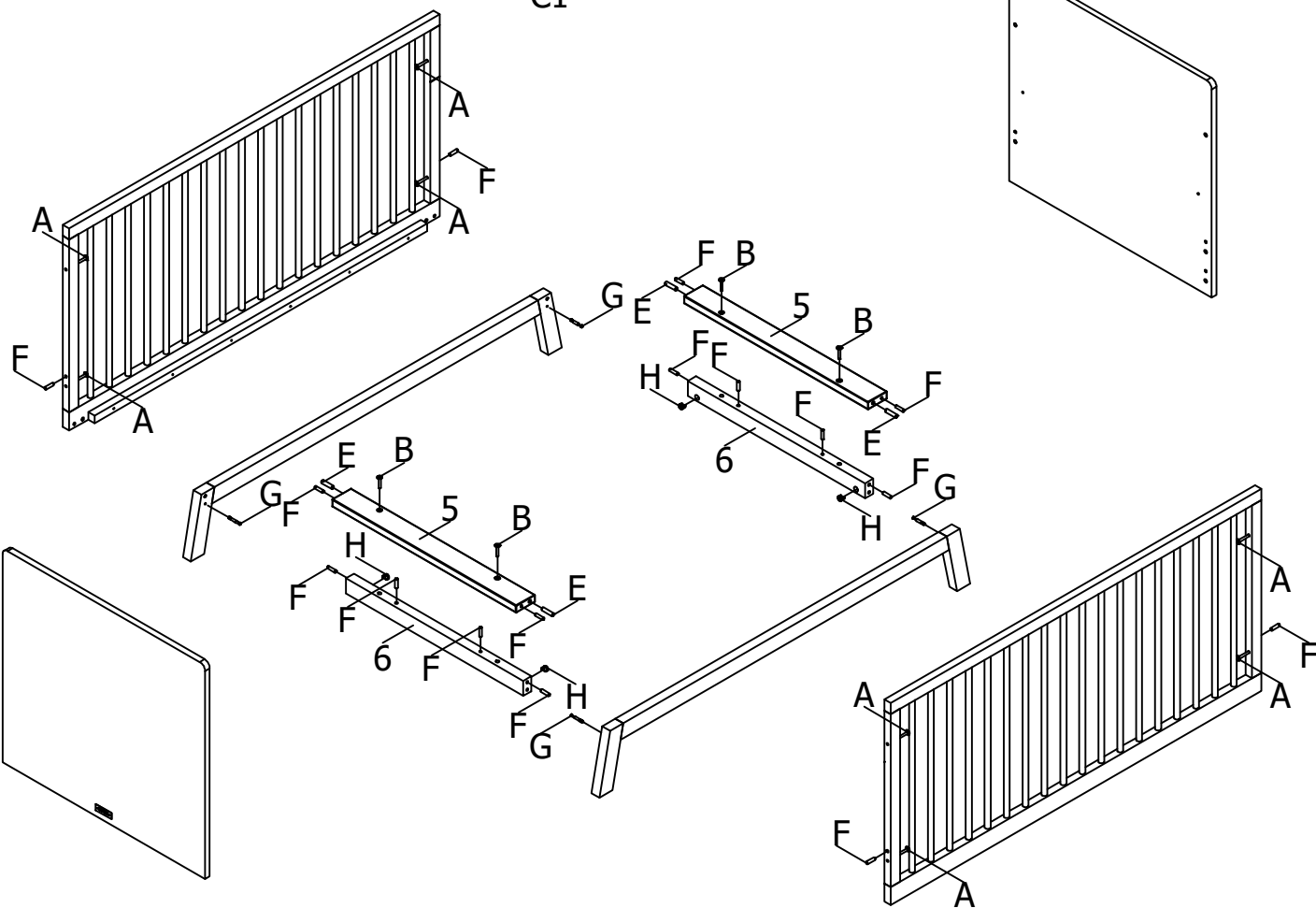
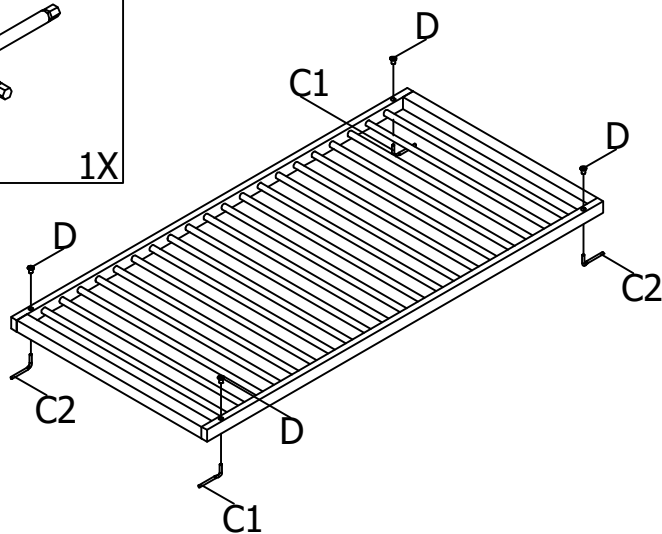
BOPITA
Energieweg 1
6662 NS Elst
The Netherlands

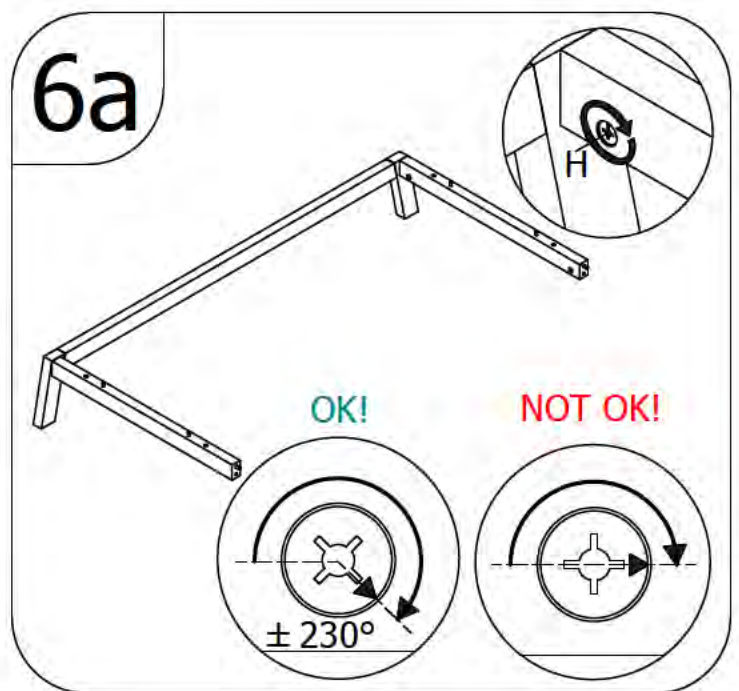
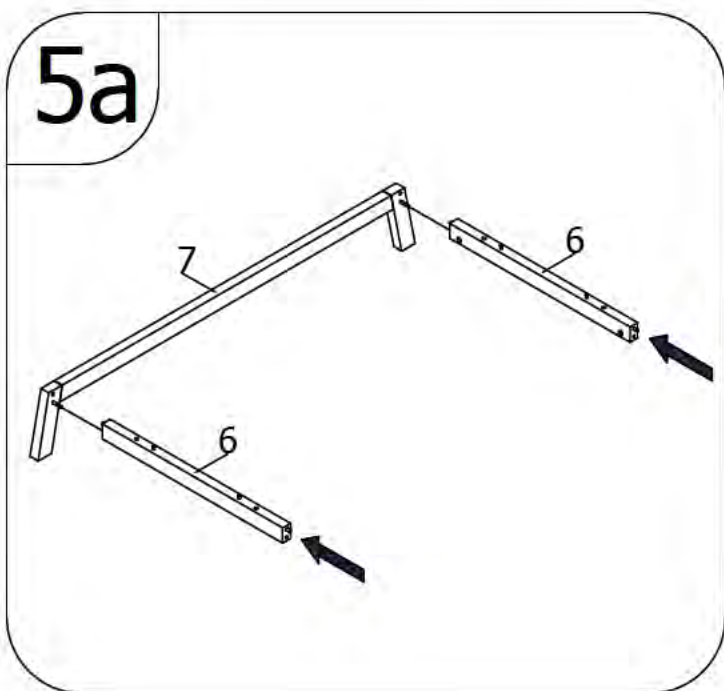
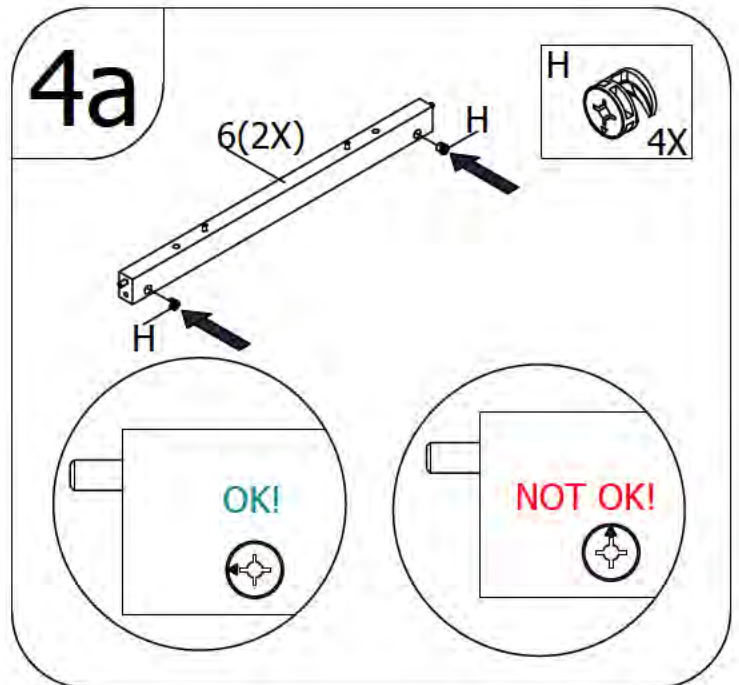
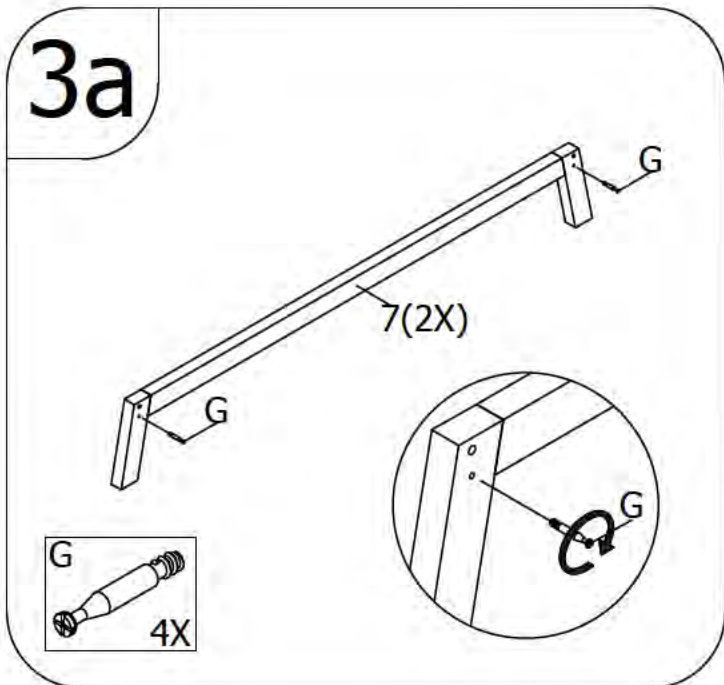
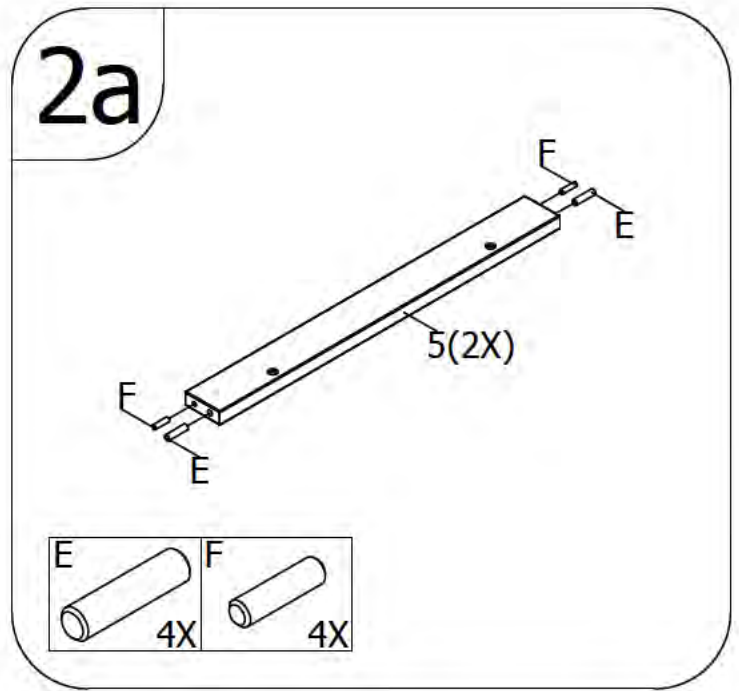
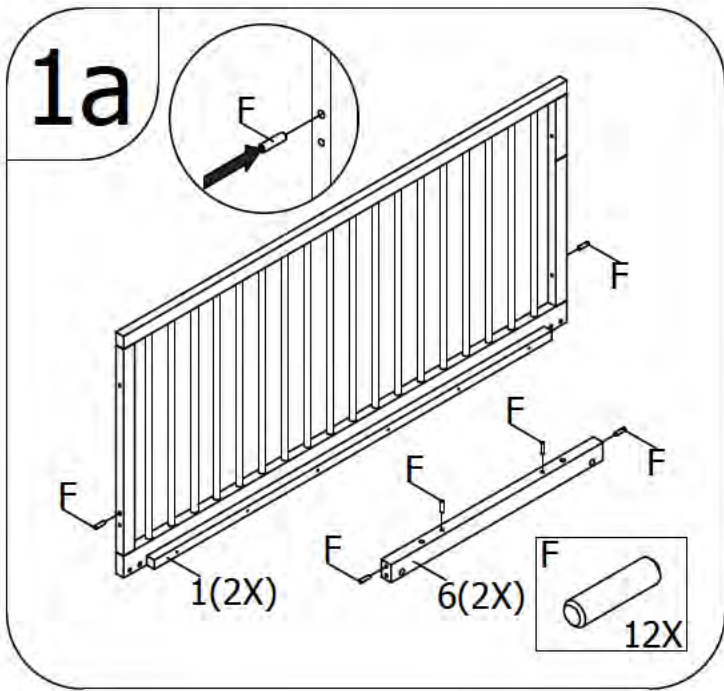
www.bopita.com



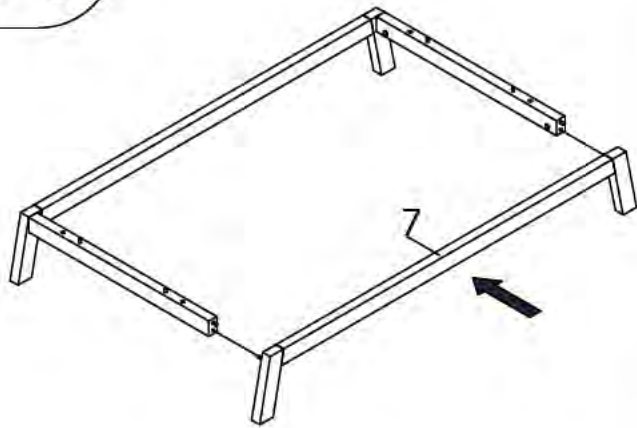
12.07.2023.

A  M6X50 8X	B  M6X35 4X	C1  2X	C2  2X	D  M6 4X	E  Ø10X40 4X	
F  Ø8X30 18X	G  4X	H  4X	I  4X	J  4X	K  SW4 1X	
L  SW5 1X	M  SW6 1X					

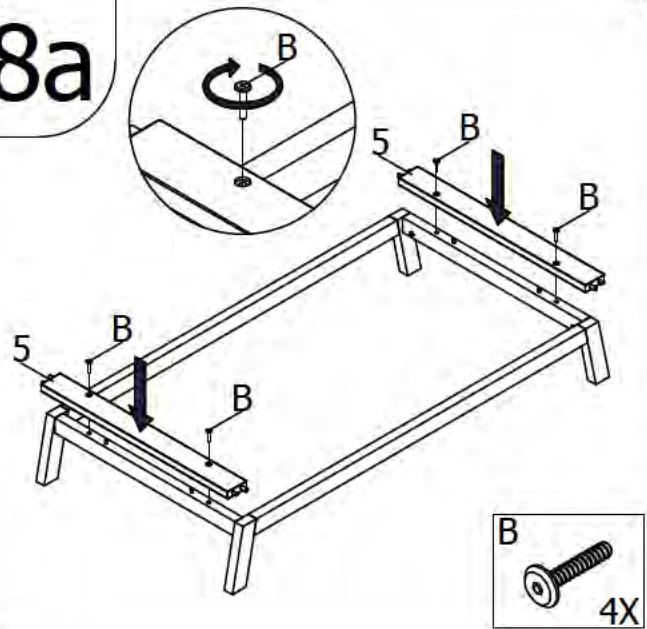




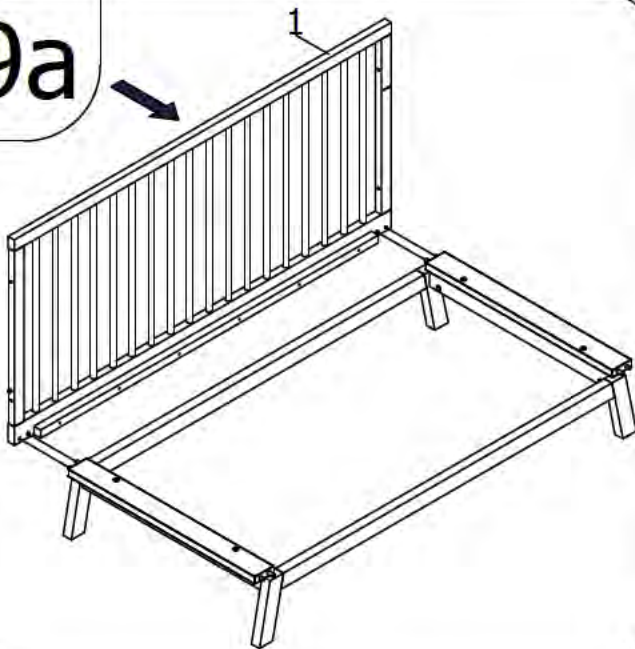
7a



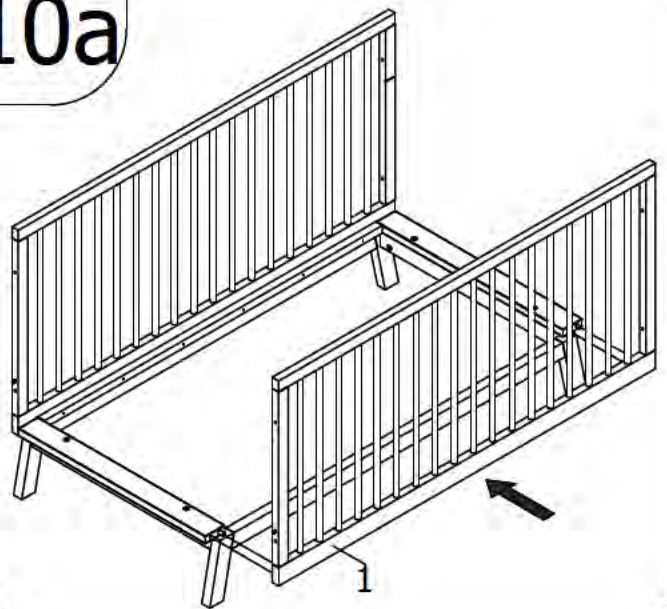
8a



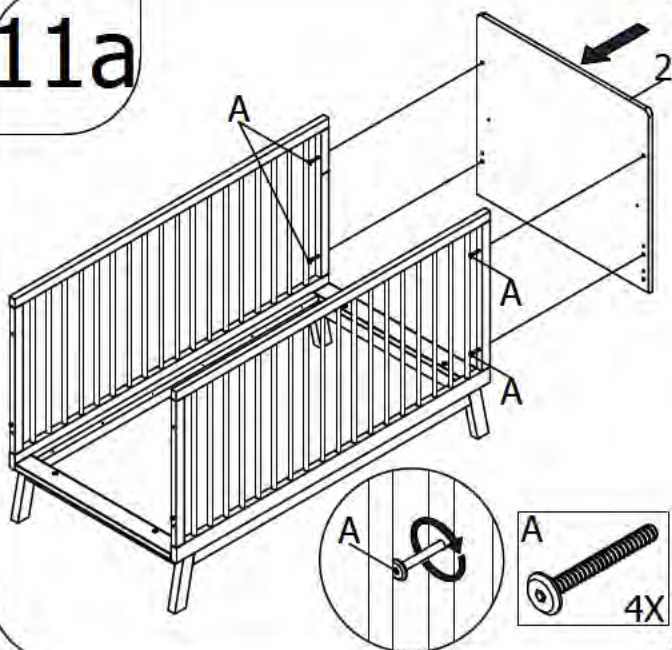
9a



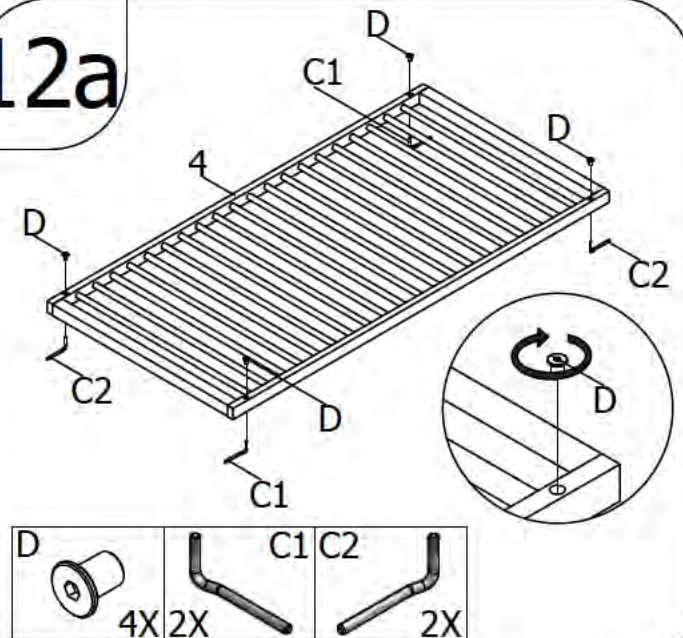
10a



11a



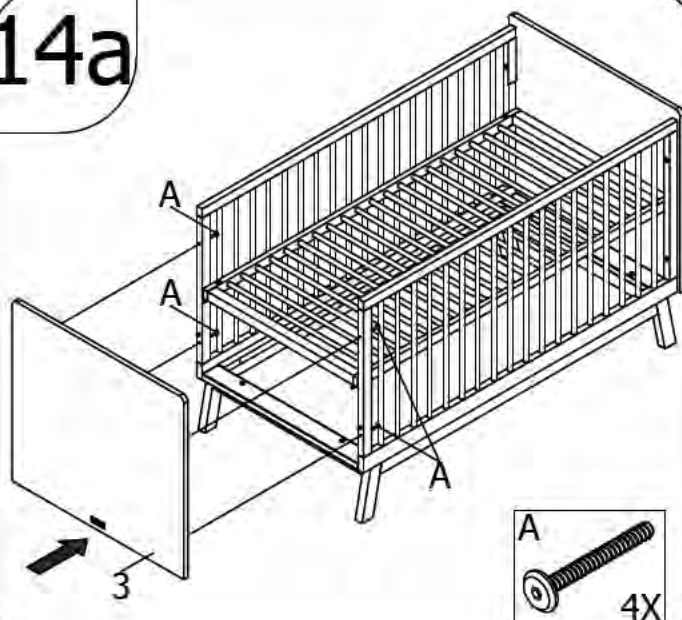
12a



13a

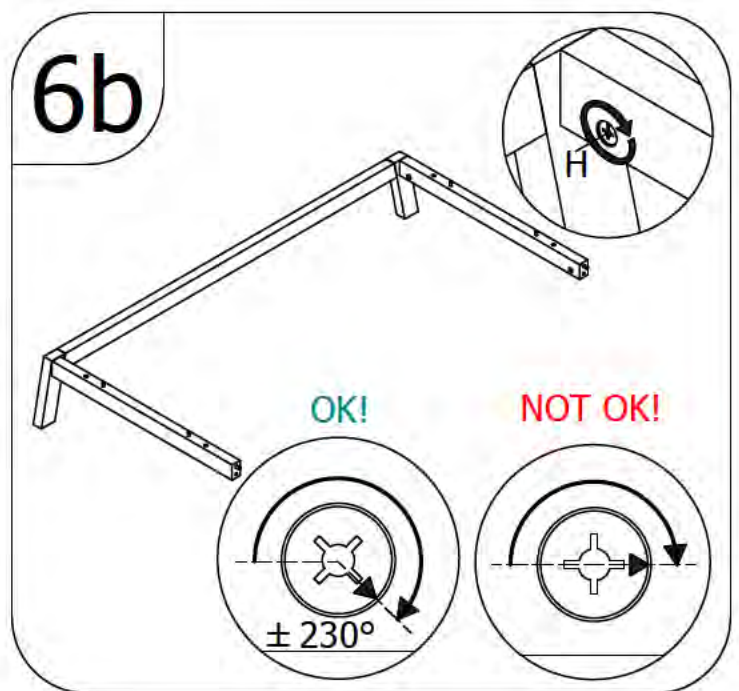
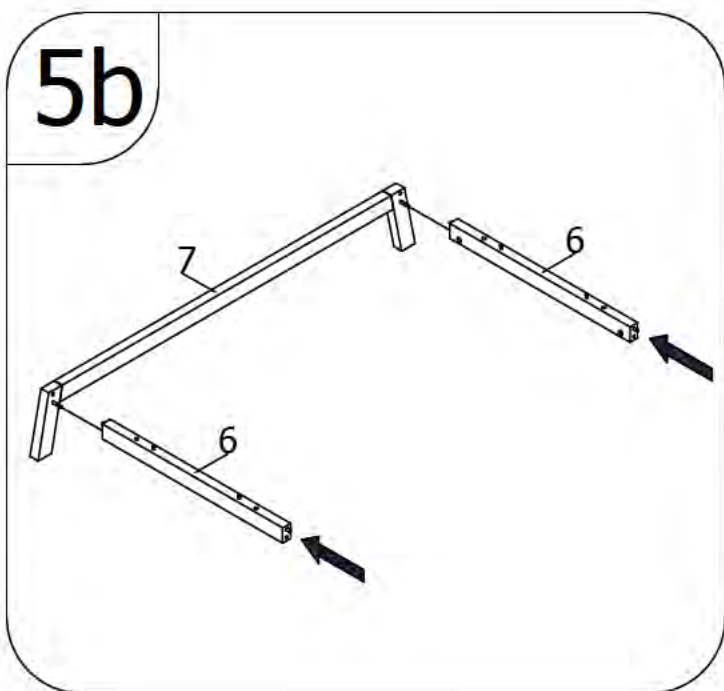
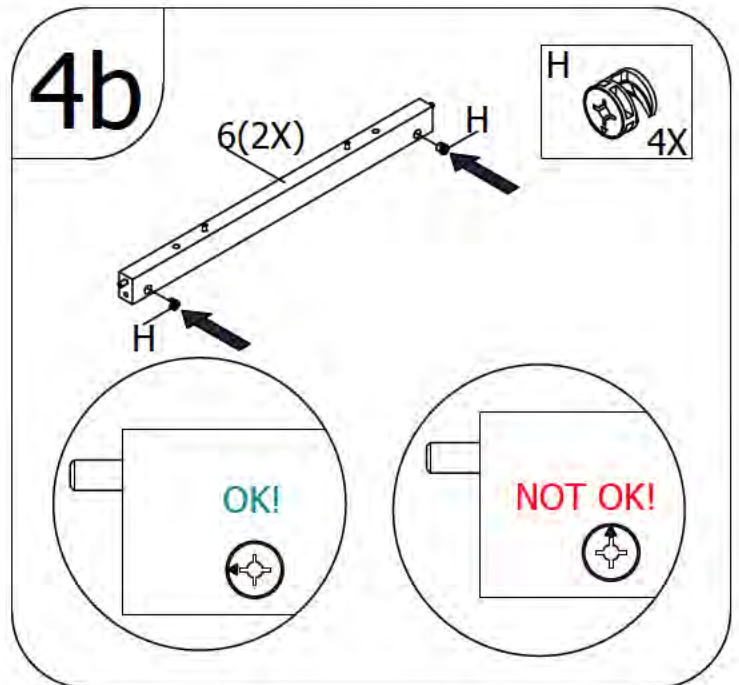
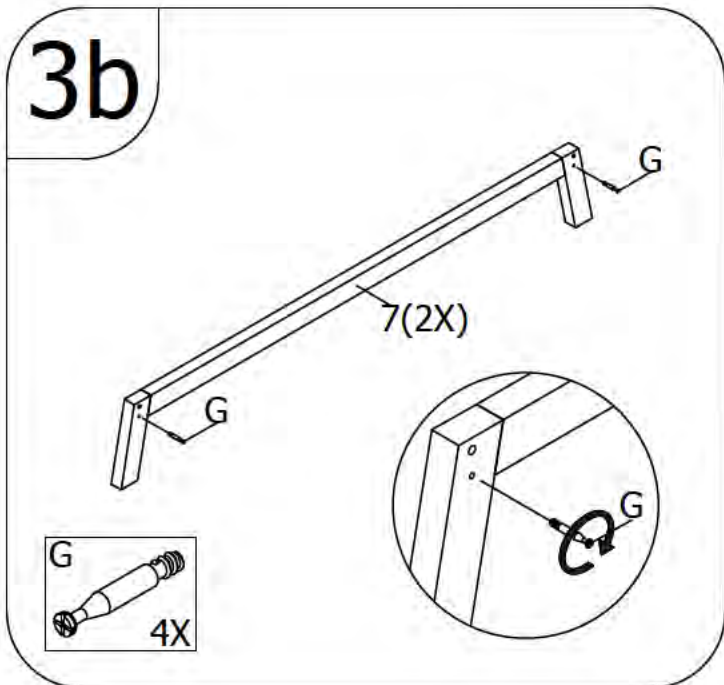
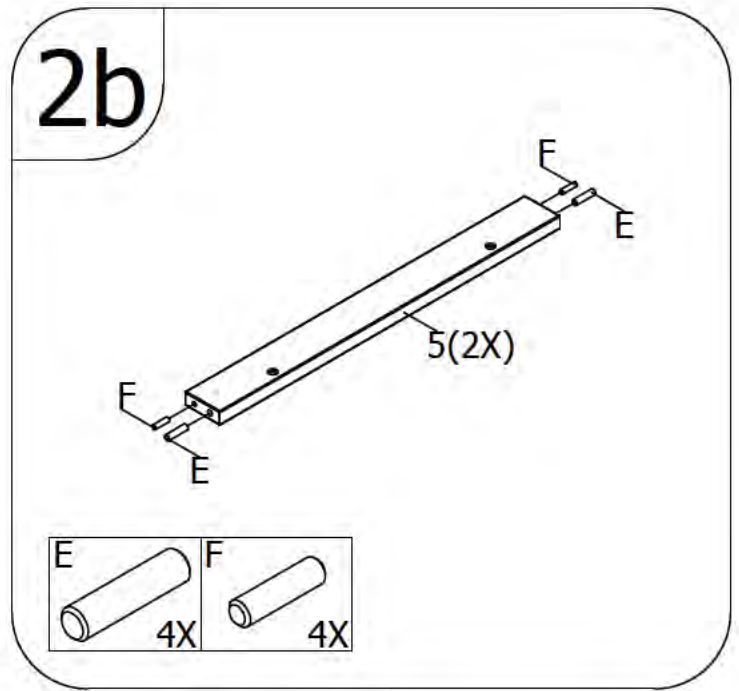
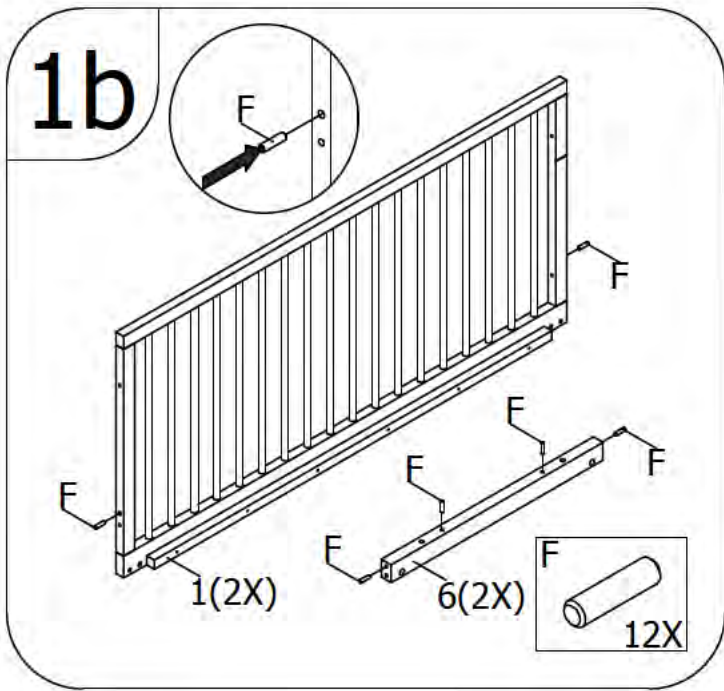


14a

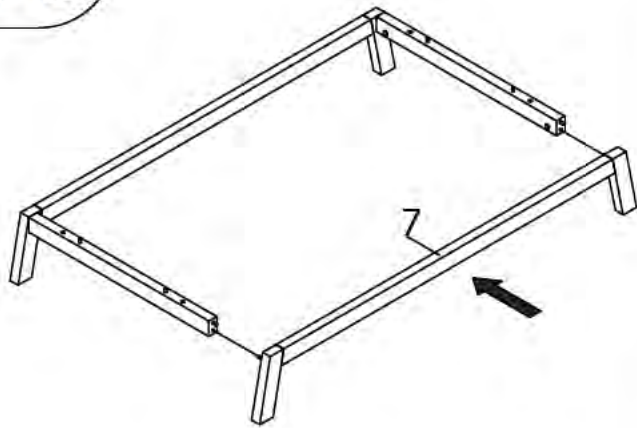


15a

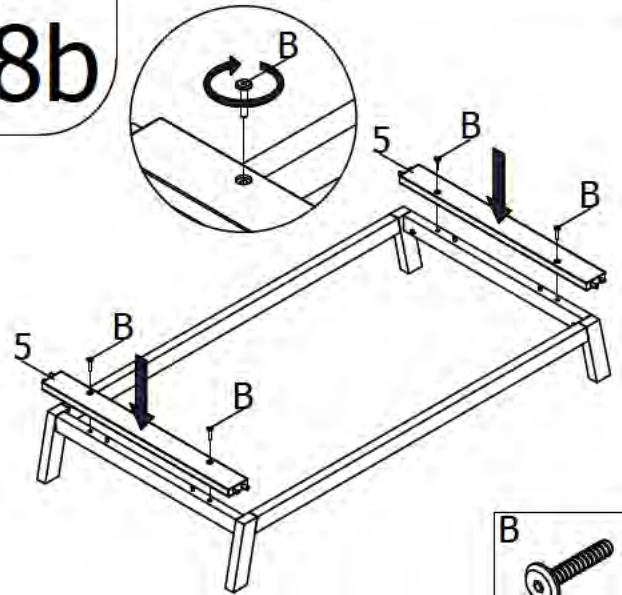




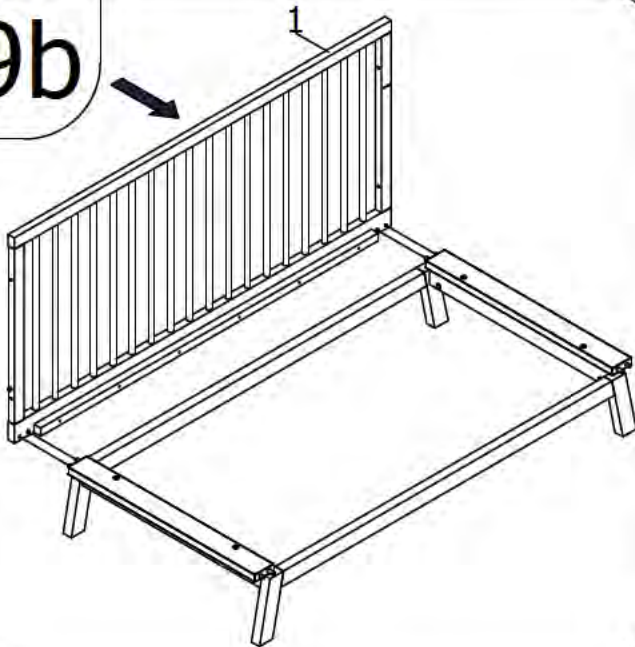
7b



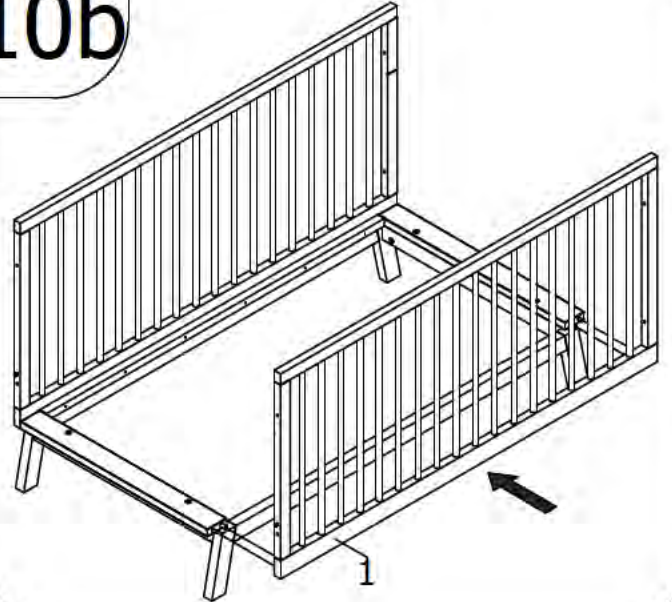
8b



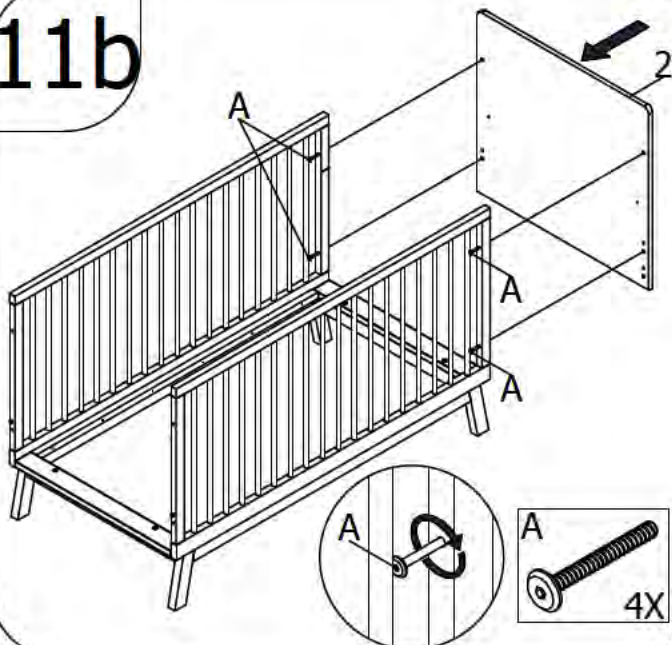
9b



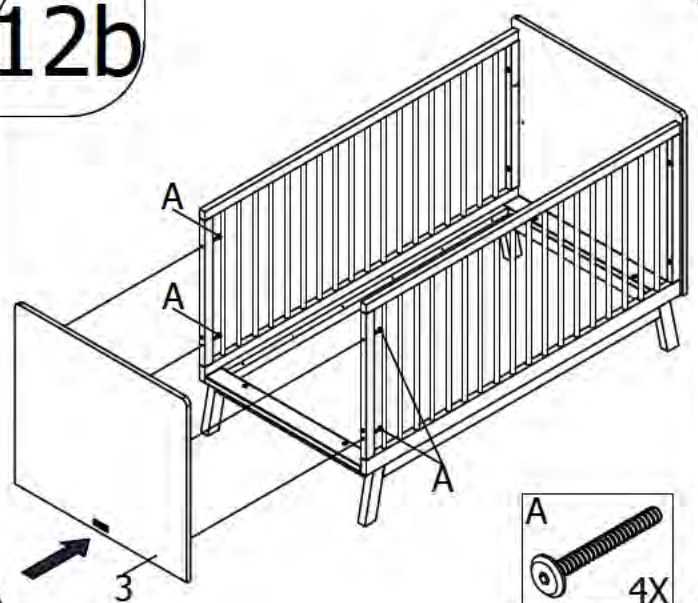
10b



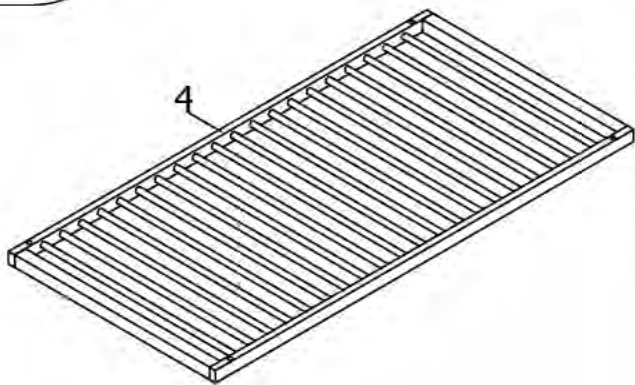
11b



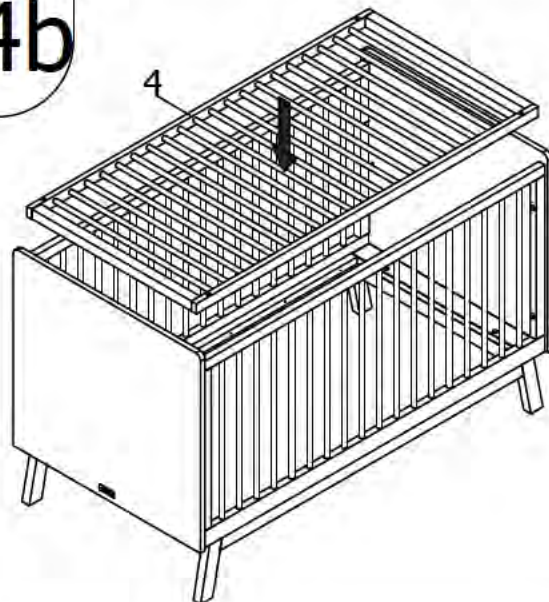
12b



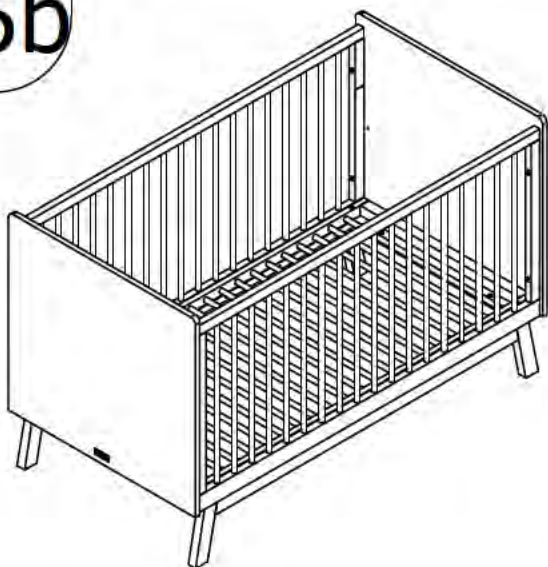
13b

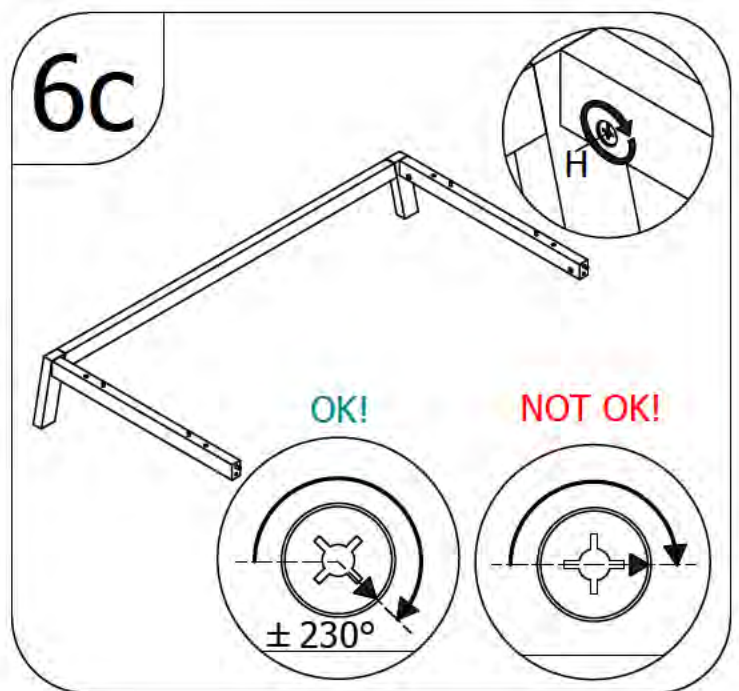
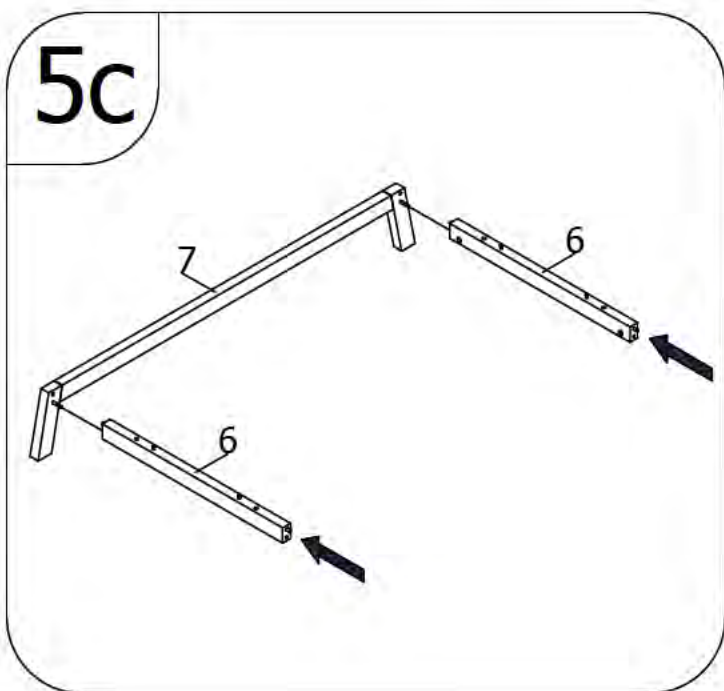
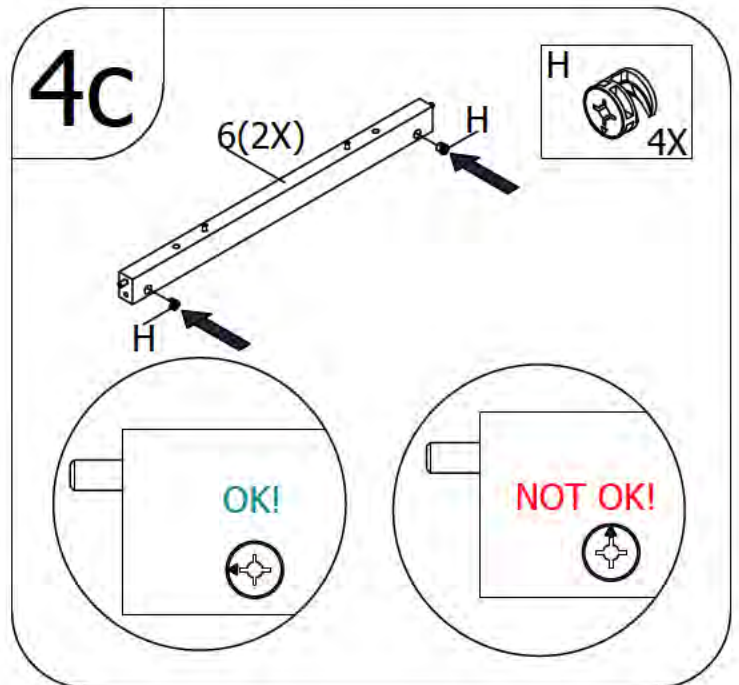
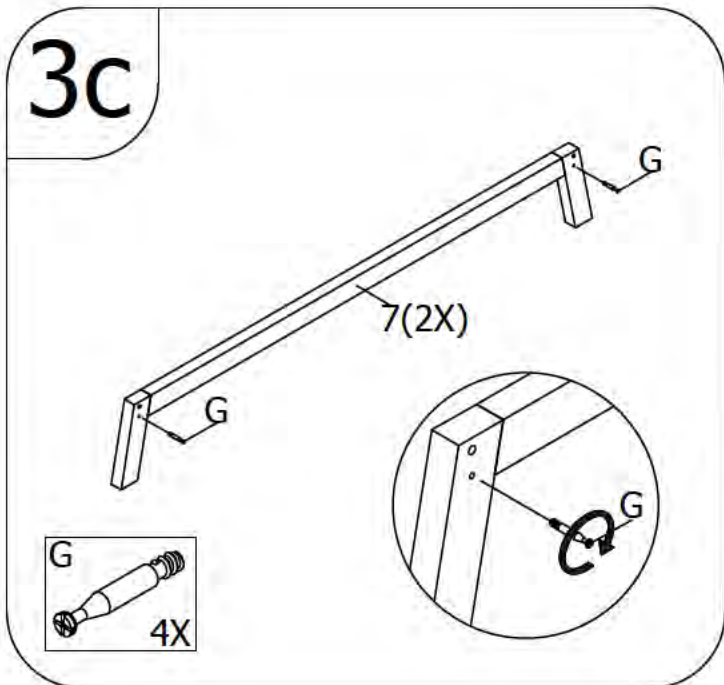
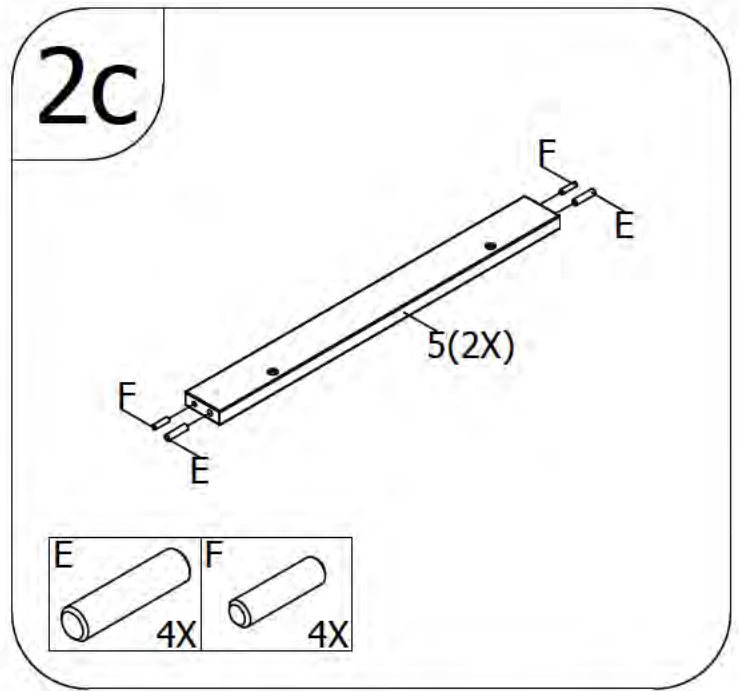
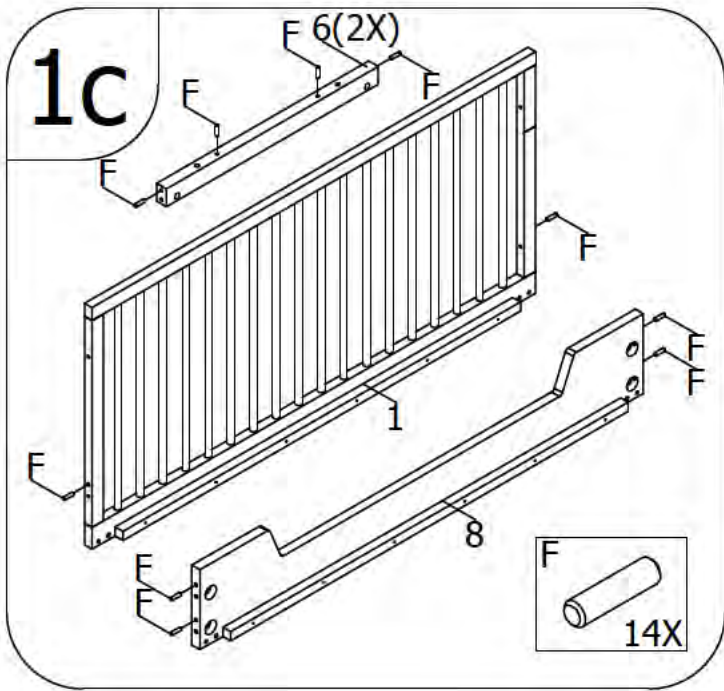


14b

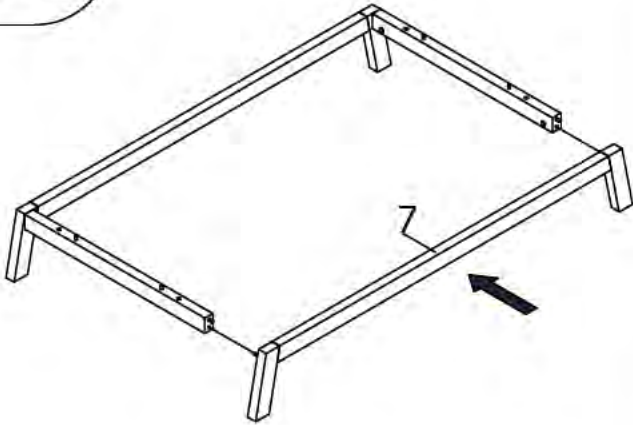


15b

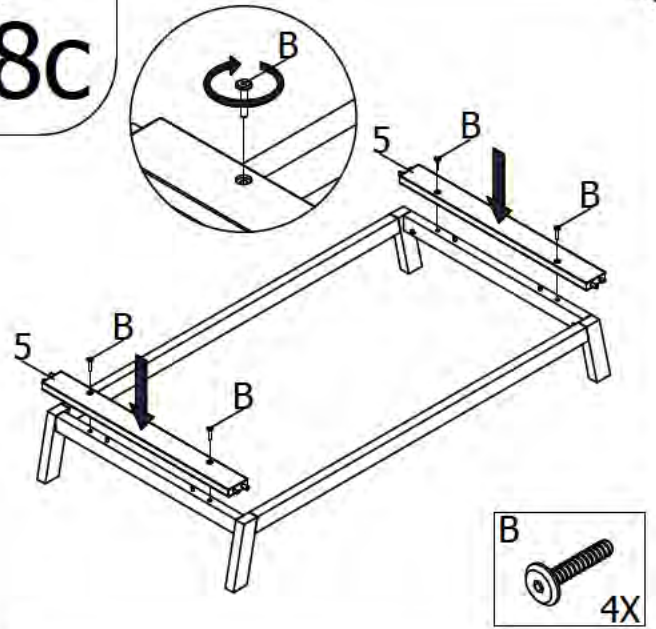




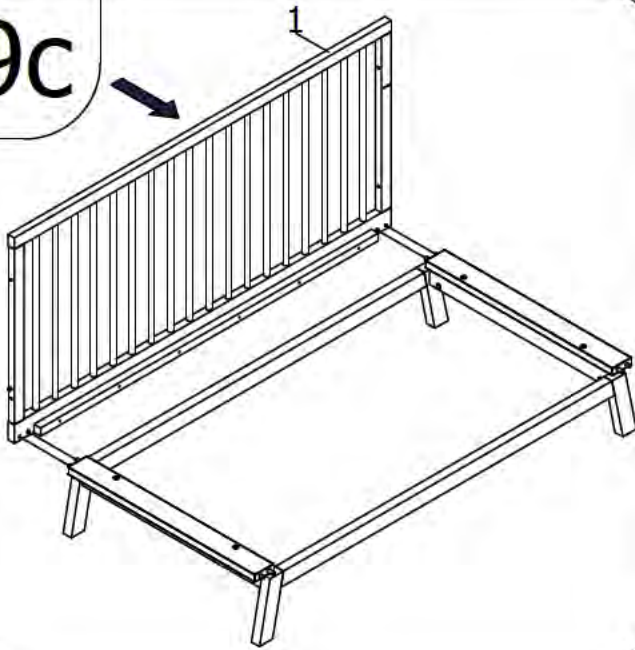
7c



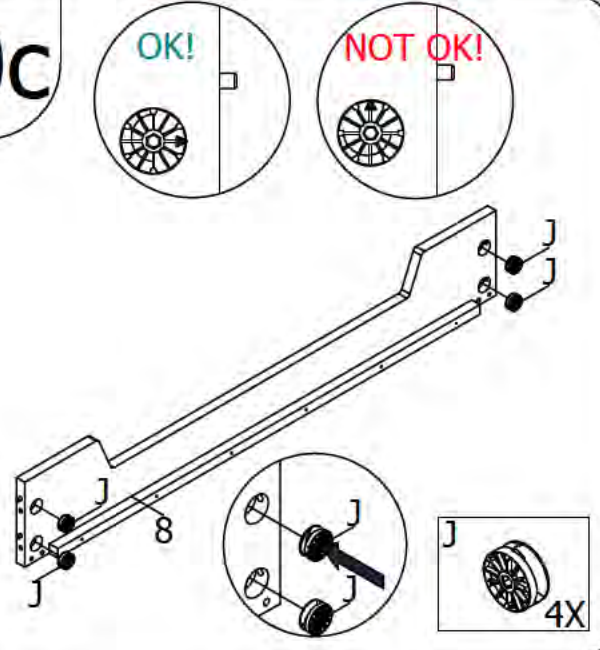
8c



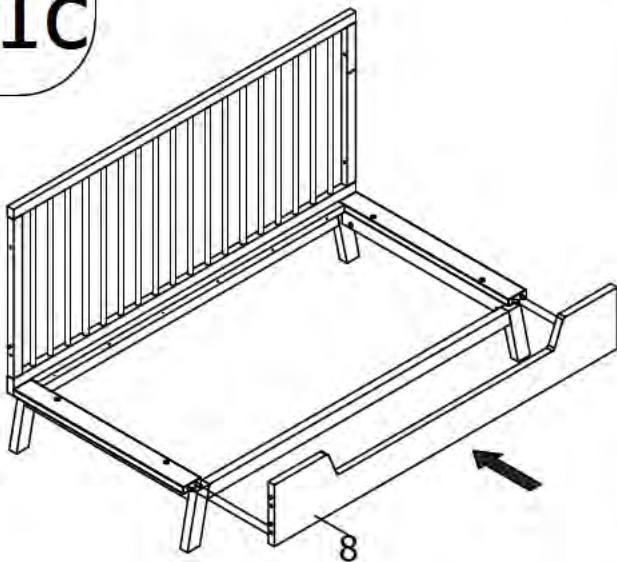
9c



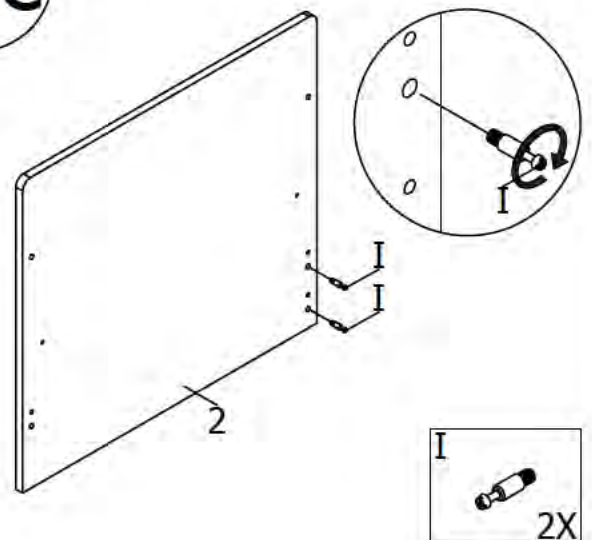
10c



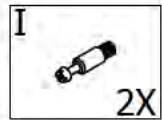
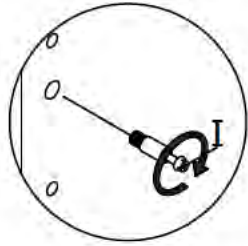
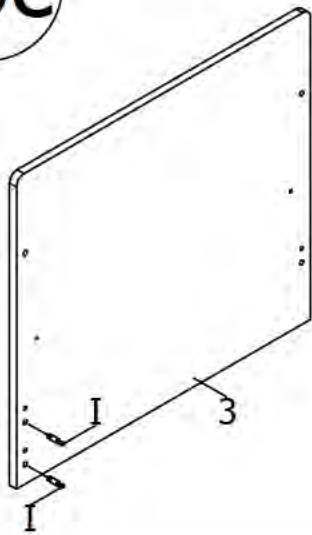
11c



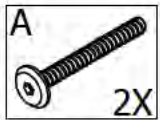
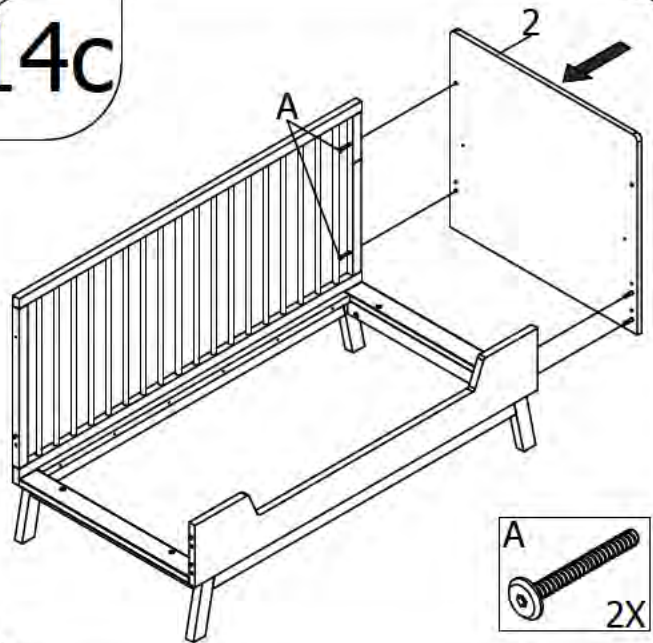
12c



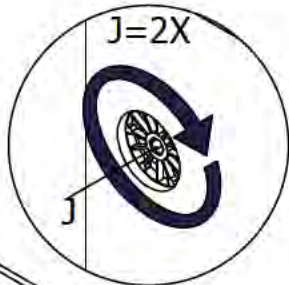
13c



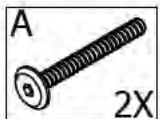
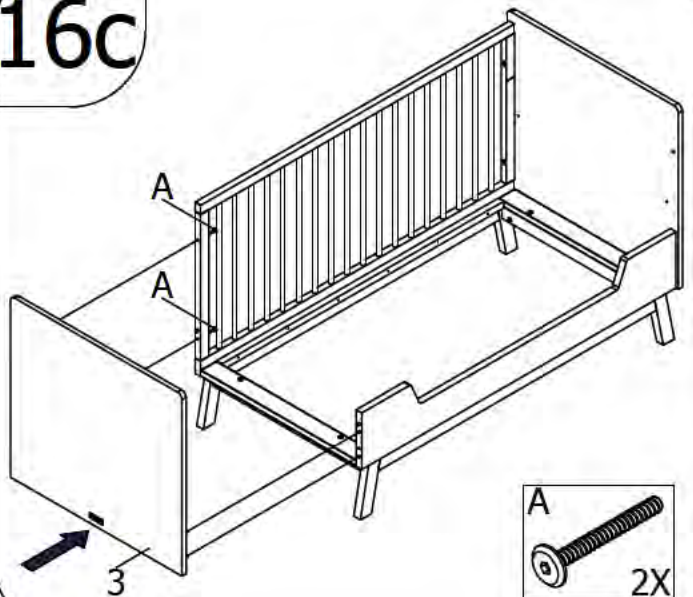
14c



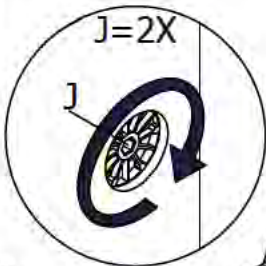
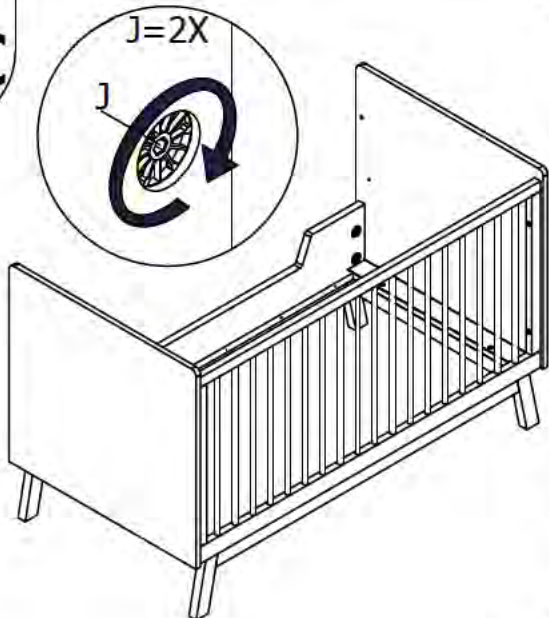
15c



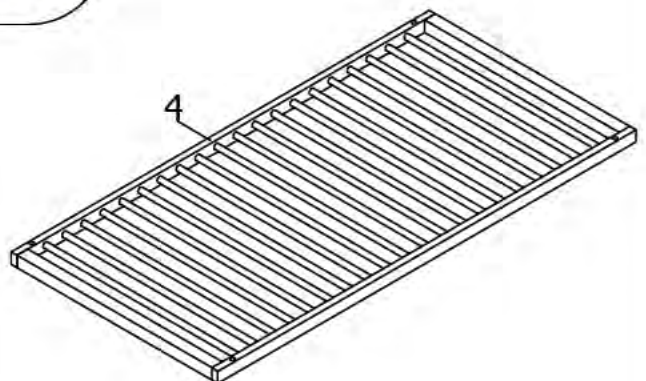
16c



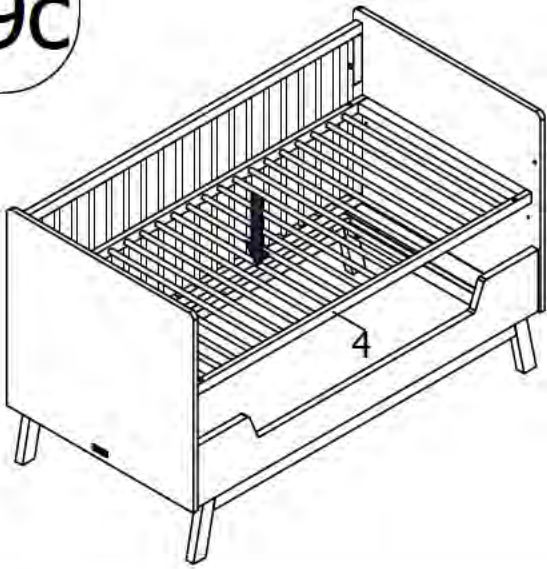
17c



18c



19c



20c

